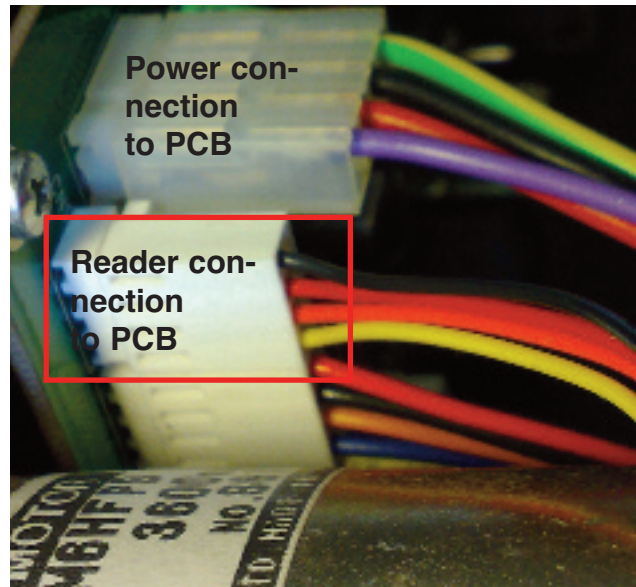
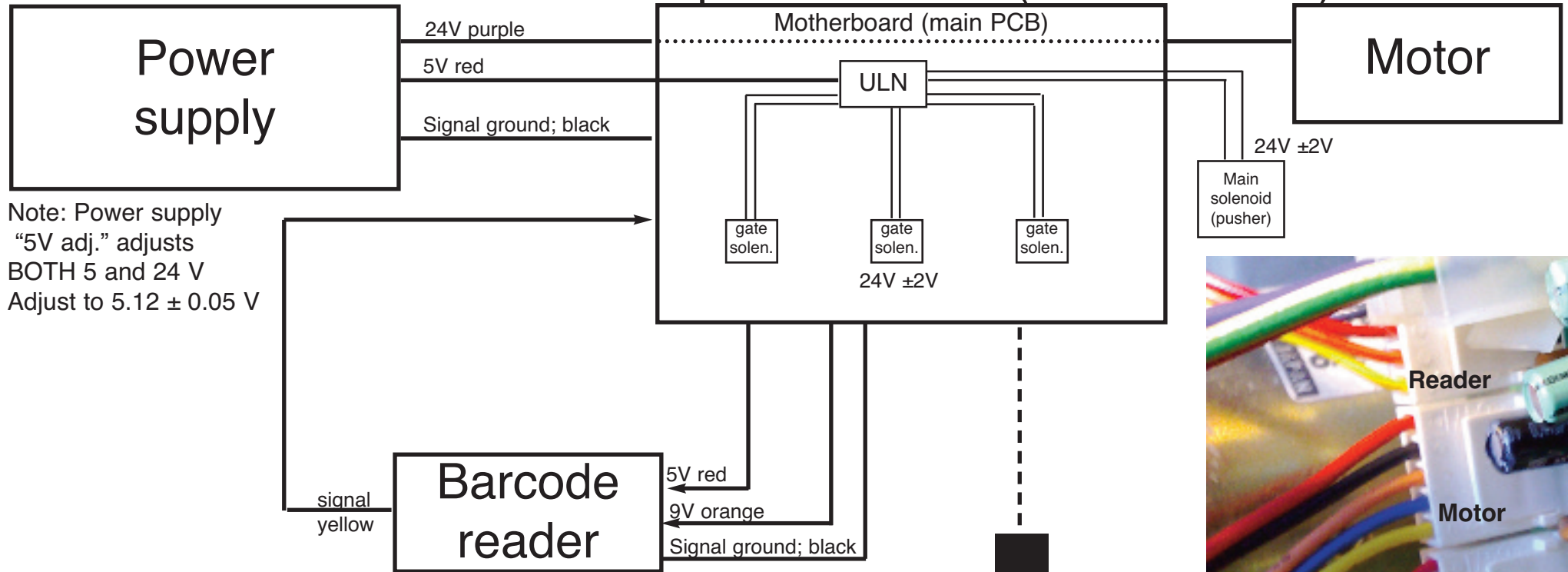


# Power scheme for Duplimate 4 -4.4 (but NOT 4.5\*)

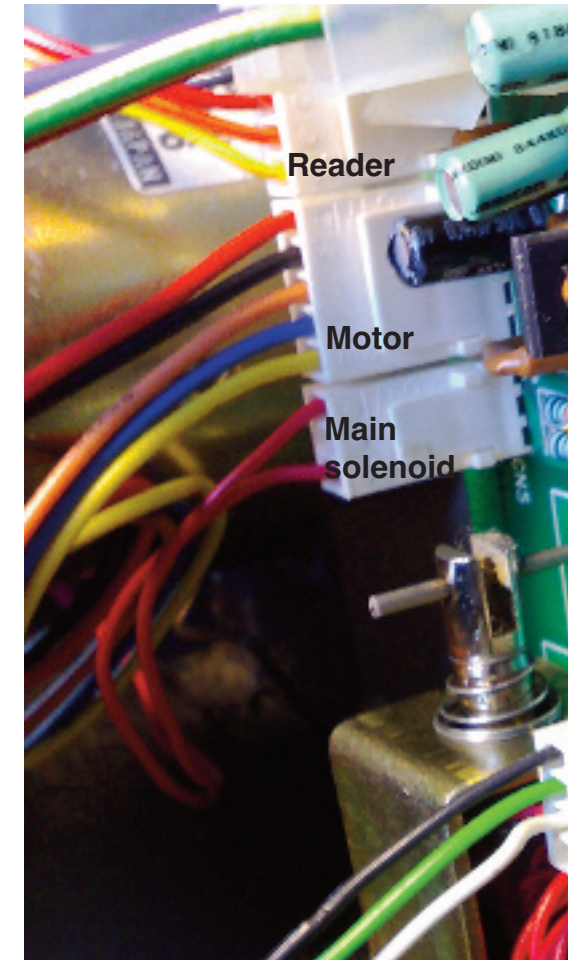


\* Duplimate 4.5 has only 24V from the power supply.

1. AC
2. AC
3. GND
4. Signal GND
5. 24V DC

## Pedal

Note that polarity matters and should be changed if sorting starts before pedal is activated.



Power\_scheme  
Last revised 121017